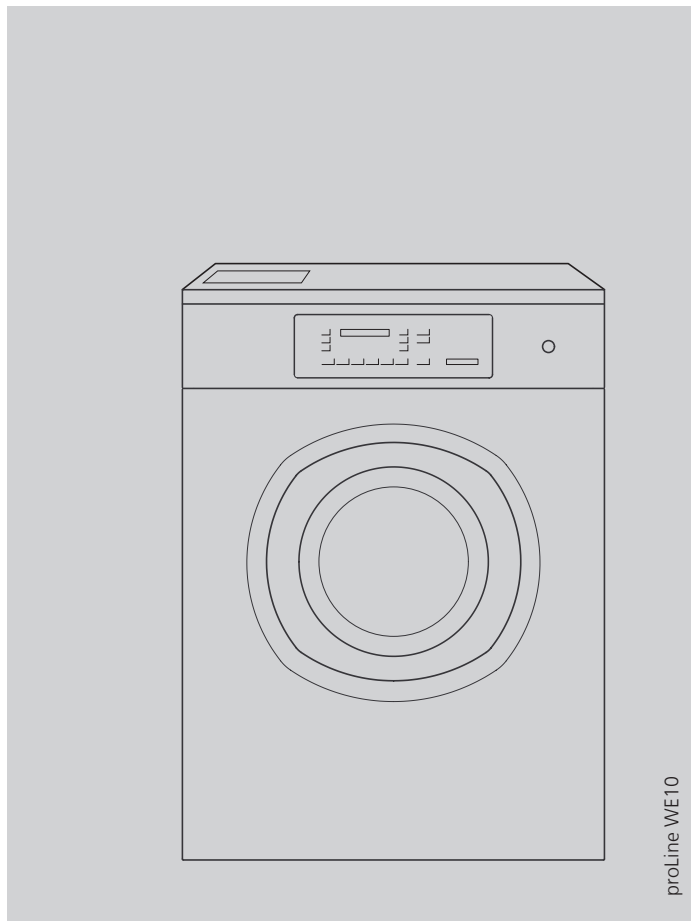


Installation instruction for professional washing machines

CE

Instruction No.

760 672.AA



proLine WE10

Safety Information

When transporting your machine



CAUTION

Risk of injury!

The machine is very heavy

- ▶ When transporting and installing the machine (unloading, moving, etc.) ensure that it does not fall down or turn over.
- ▶ Do not lift the machine by holding on to the protruding component parts!
- ▶ Do not operate the machine on the pallet.

Observe the following when setting up the machine

- ▶ The washing machine may only be installed and put into operation by our customer service or an authorised specialist dealer.
- ▶ When installing and connecting the appliance, the following safety instructions, warnings, general instructions and any possible special regulations of the locally responsible water and electricity supply companies must be observed.
- ▶ Do not connect an appliance which displays visible damage.
- ▶ After correct installation of the washing machine, do not fail to fit all the dismantled external panelling parts again.
- ▶ Lay hoses and cables in such a way that they do not represent a risk of tripping.
- ▶ Do not install the washing machine in rooms exposed to frost.



CAUTION

Fire and explosion hazard!

Do not use the washing machine in rooms in which inflammable or explosive gases or vapours occur.



CAUTION

Risk of suffocation!

Packing material is not a plaything for children.

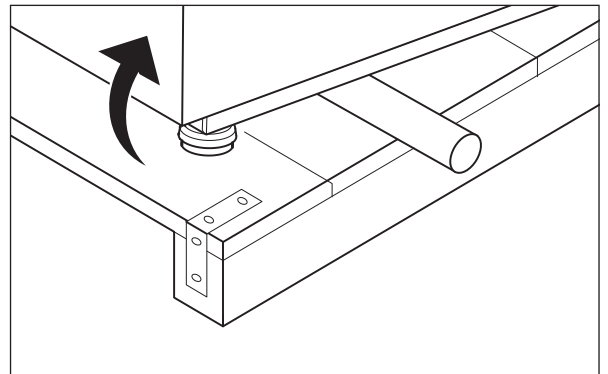
- ▶ Dispose of the packing material correctly and do not keep it. Playing children might get hold of it and be exposed to danger (e.g. risk of suffocation with the sheeting).

Storage and transport

Storing the machine

- ▶ The machines are to be stored in a dry, frost-free place.

Removing from the pallet



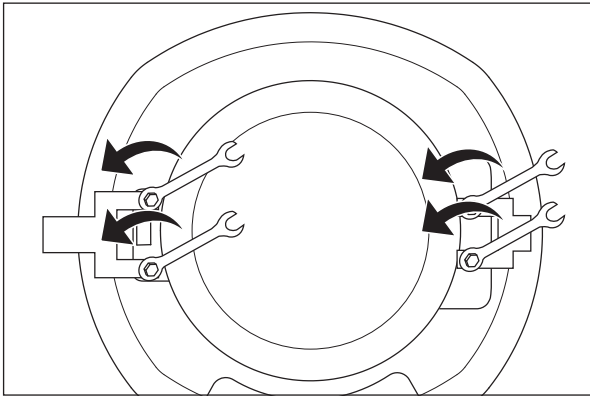
- ▶ The machines are delivered on pallets which can be transported by fork lift trucks.
- ▶ Lift the machine at the side with a crowbar and slide pipes underneath.
- ▶ Then roll the machine from the pallet.

Removing the transport securing device

⚠ Before putting the appliance into service for the first time, the transport securing device on the rear of the appliance must be removed. Keep the transport securing device in a safe place for possible future use (move). Transport the appliance only with the transport securing device fitted.

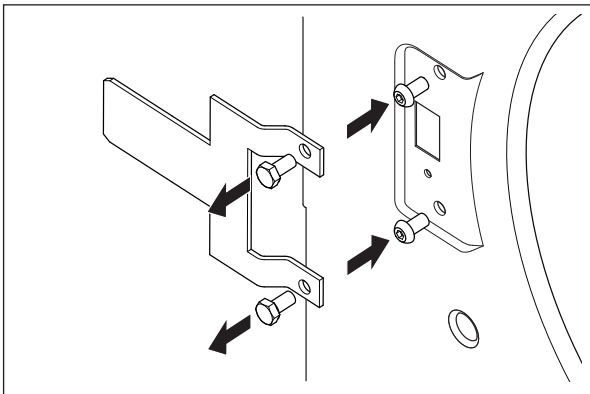
⚠ Caution – in the case of slipping there is a risk of injury!

Front

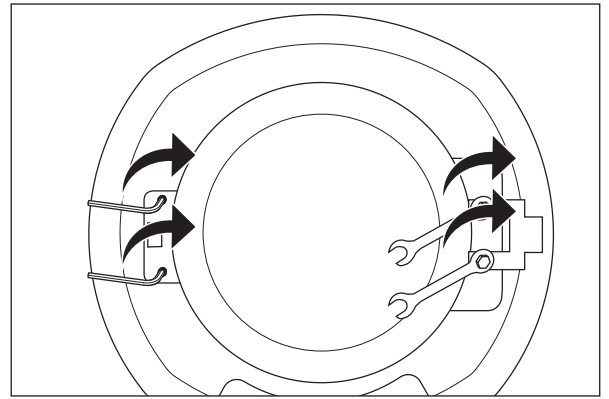


► Unfasten and remove the four hex screws to the left and to the right of the loading door with a 13 mm ring spanner.

► Remove the red transport safety devices on both sides of the door.



► On the left side, install the two oval head screws supplied in the bag, in place of the hex screws.

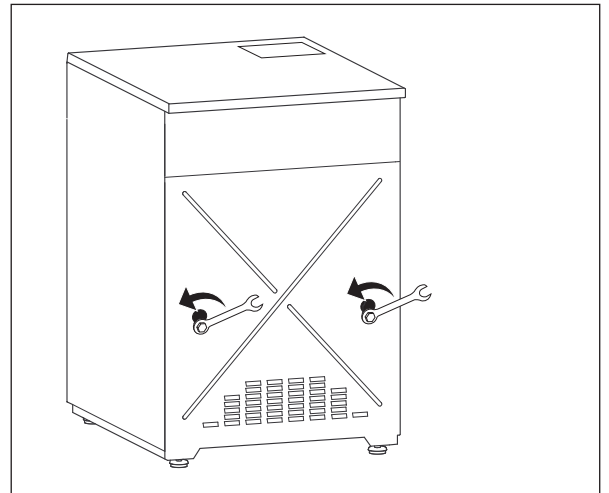


► On the right side, re-install the two previously removed hex screws.

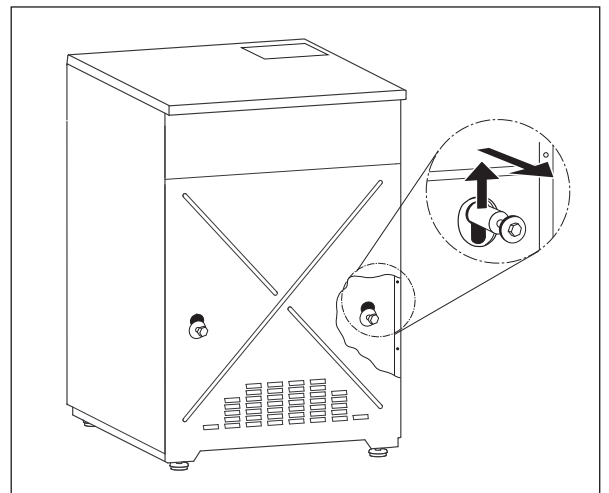
⚠ The door will leak, without these four screws!

Rear

► Undo the hexagon-head bolts with a 13 mm ring spanner until the bolts are able to move freely.



► Remove the hexagon-head bolts with the sleeves.



Installing the appliance

Each appliance is carefully checked under operating conditions before leaving our factory. Any moisture or water residue which you may possibly find in the appliance or outlet hose are attributable to this check.

Installation area

In order to ensure the stability of the appliance during spin drying, the installation area must be firm and level. Soft floor coverings, e.g. fitted carpets or coverings with a foamed material backing are not suitable as an installation area.

- ⚠ On timber joist floors, place the appliance on an at least 40 mm thick, water-resistant timber board which should be screwed firmly to the floor. Installation should be made as far as possible in the corner of the room.
- ⚠ If it is attached to a stand, the base of the device must be fixed securely to it with a fixing set in order to prevent it from sliding off during its spin cycle.

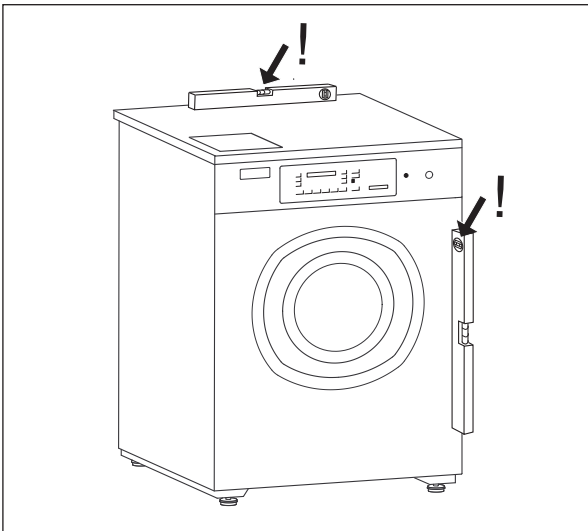
You can purchase the fixing set as a kit at your specialist retailer or through our customer services team:

Steel fixing set – to be drilled: Order No: S110

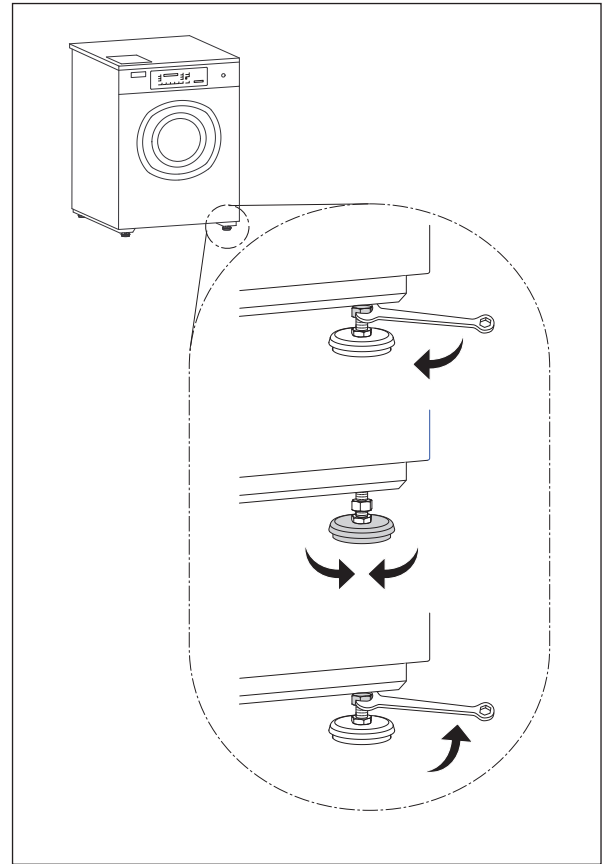
Plastic fixing set – to be glued: Order No: 51215

Aligning the appliance

- ⚠ In order to ensure the machine's stability, it must be in a vertical position with all four feet firmly on the floor and it must not wobble. Otherwise the machine might move during operation and cause any damage.
- Aligning the appliance with the help of a spirit level on all sides.



- If necessary, correct the height of the appliance feet.
1. Loosen the counternuts.
 2. Correct the height of the feet.
 3. Tighten the counternuts firmly again so that the foot heights set will be maintained.



Water connection

Connection of the appliance to the water supply must be carried out by an expert. A normal water supply pressure of at least 0,1 MPa (1 bar) is required for the water connection (with the water tap open, at least 8 litres of water must flow in one minute). If the water pressure is more than 1 MPa (10 bar), a pressure reduction valve must be fitted in series.

- ⚠ Connect the water feeds as per the installation plan (view further behind).
- ⚠ An IRN R160-compliant double check valve must be installed at the connection point between the water supply and the machine.
- ⚠ The supplied feet hoses must be used for the water connection.
- ⚠ Do not connect the appliance to the mixer tap of an unpressurised water heater.
- ⚠ Important, the connection points are under full water pressure; check for water tightness with the tap turned on fully.
- ⚠ The dirt screens at the loose end of the feed hose and in the solenoid valve in the appliance should only be removed for cleaning purposes.
- ⚠ To prevent water damage, the stop-cock or intermediate valve must be closed on completion of washing.

Soft water connection

In the case of appliances with a soft water connection, fit the water connection hoses to the soft and hard water taps as per the installation plan (view further behind).

- ▶ Open the tap and check that no water flows.
- ▶ Then close the tap.

- ⚠ Note that with a soft water connection, the appliance parameterisation must be changed (see service instructions).

Hot water connection

In the case of appliances with a hot water connection, fit the water connection hoses to the hot and cold water taps as per the installation plan (view further behind).

- ▶ Open the tap and check that no water flows.
- ▶ Then close the tap.

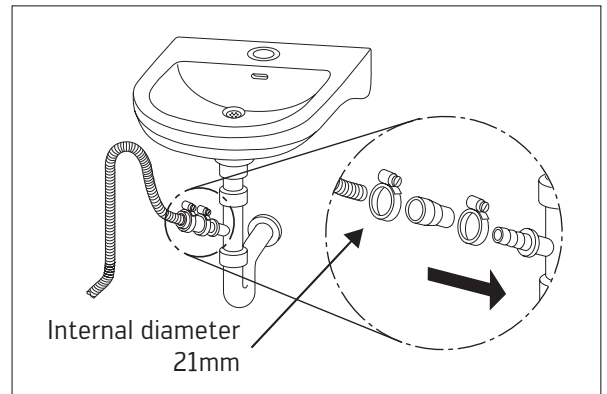
- ⚠ The temperature of the hot water supply must not exceed 60 °C. Otherwise, the temperature of the hot water must be reduced to the maximum temperature of 60 °C by means of a mixer connected in series.

- ⚠ Note that with a hot water connection, the appliance parameterisation must be changed (see service instructions).

Water outlet

Drain pump

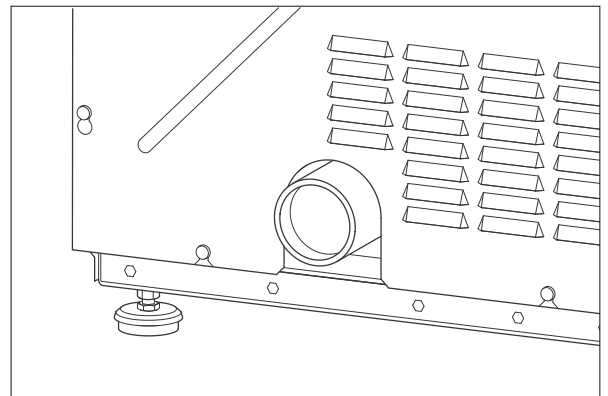
- ⚠ During installation, do not bend the outlet hose or pull on the hose!
- ⚠ When leading the outlet hose into a siphon (built-in or below the wash basin), the connecting points must be secured with hose clips. Otherwise there is a risk of flooding! You can obtain the necessary hose clamps through the specialist trade.



- ⚠ The water produced during washing contains detergent and is not drinkable. This detergent solution should be fed into a wastewater system designed for this purpose.

Drain valve

Direct connection to the waste pipe, on the back.



Electrical connection



Connection of the appliance to the power supply must be carried out by a specialised electrician.

Prepare the electrical connection (in the building) flexibly in accordance with the connection diagram and the regulations of the regional power supply company. The protective conductor connection is to be designed in such a way that the protective wire only breaks in the case of excessive tensile load after all active (current-carrying) lines have been isolated.

In rooms in which fault-current protective switches are required or recommended in order to increase safety, the release current must be 30 mA.

Use a fault-current protective switch with the symbol.

The motor is provided with overload protection.

The main switch can be locked in the «OFF» position

- Fuses are not included in the scope of supply.

Important

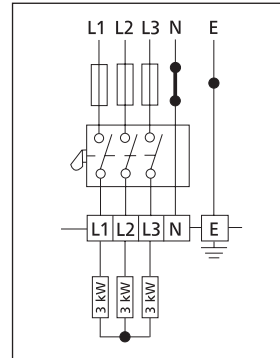


On completion of setting up and connection of the washing machine, all removed housing parts must be refitted to prevent access to current-carrying or rotating machinery parts.

8 kg /10 kg /12 kg washing machine

400V 3N ~

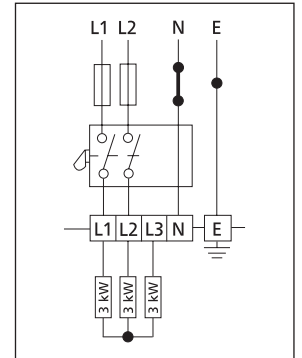
Reduced mains power
«OFF»



Heating	9 kW
Motor	0,8 kW
Fuse	16 AT

400V 2N ~

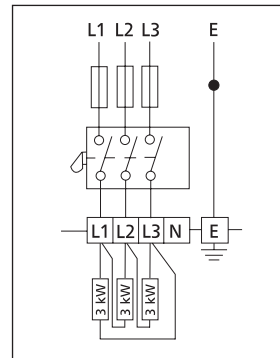
Reduced mains power
«ON»



Heating	6 kW
Motor	0,8 kW
Fuse	16 AT

230V 3 ~

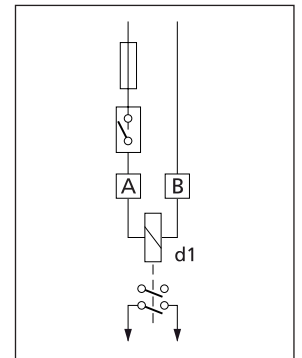
Reduced mains power
«OFF»



Heating	9 kW
Motor	0,8 kW
Fuse	25 AT

230V 1N ~

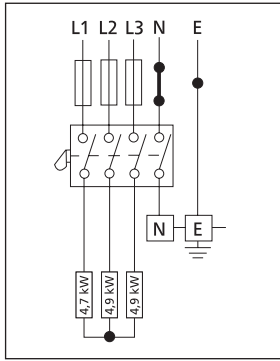
Locking for electrical heating
Accessory No. 50 998



13 kg washing machine

400V 3N ~

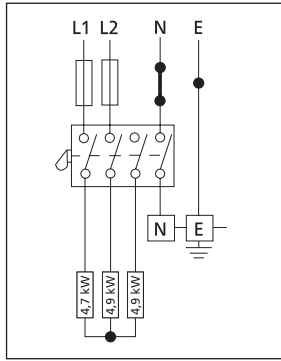
Reduced mains power
«OFF»



Heating 14,5 kW
Motor 1,1 kW
Fuse 25 AT

400V 2N ~

Reduced mains power
«ON»

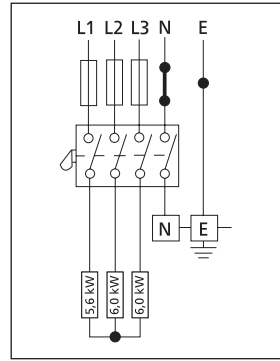


Heating 9,6 kW
Motor 1,1 kW
Fuse 25 AT

16 kg washing machine

400V 3N ~

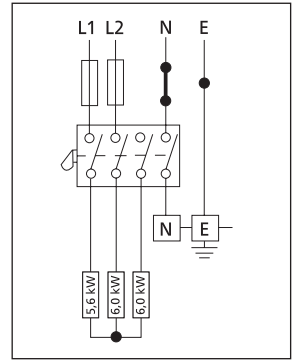
Reduced mains power
«OFF»



Heating 17,6 kW
Motor 1,1 kW
Fuse 32 AT

400V 2N ~

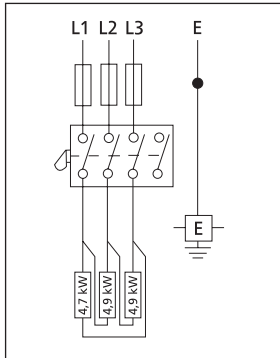
Reduced mains power
«ON»



Heating 11,6 kW
Motor 1,1 kW
Fuse 32 AT

230V 3 ~

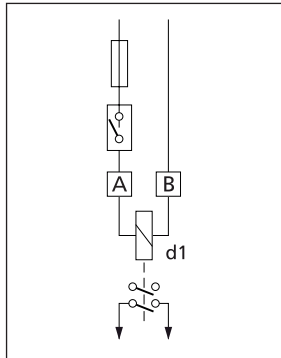
Reduced mains power
«OFF»



Heating 14,5 kW
Motor 1,1 kW
Fuse 40 AT

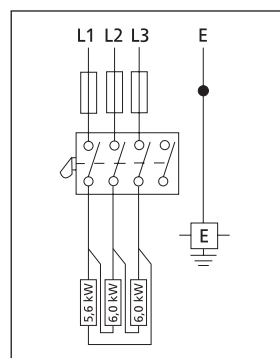
230V 1N ~

Locking for electrical heating
Accessory No. 50 998



230V 3 ~

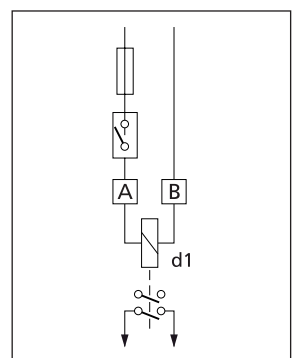
Reduced mains power
«OFF»



Heating 17,6 kW
Motor 1,1 kW
Fuse 50 AT

230V 1N ~

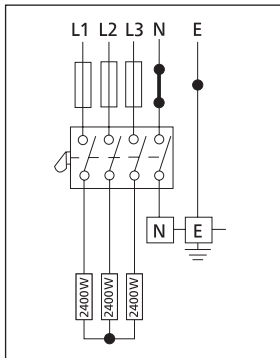
Locking for electrical heating
Accessory No. 50 998



Reduced electric heat output:

400V 3N ~

Reduced mains power
«ON»

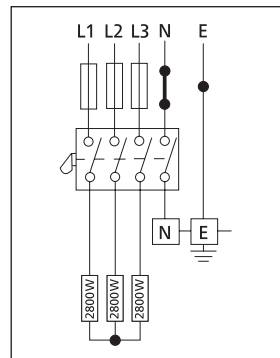


Heating 7,2 kW
Motor 1,1 kW
Fuse 16 AT

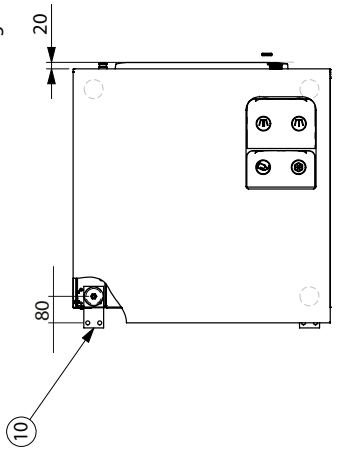
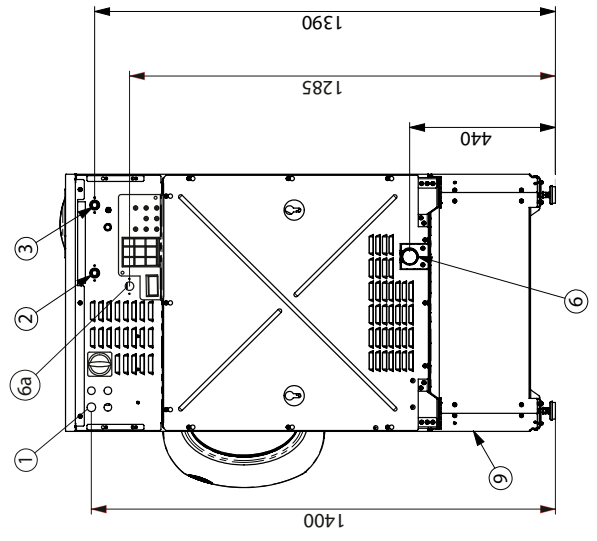
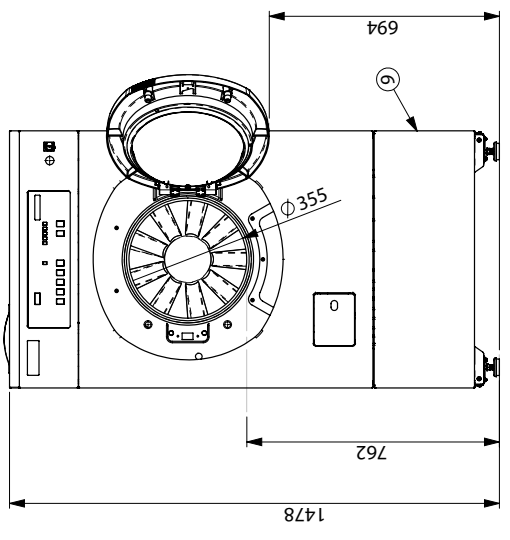
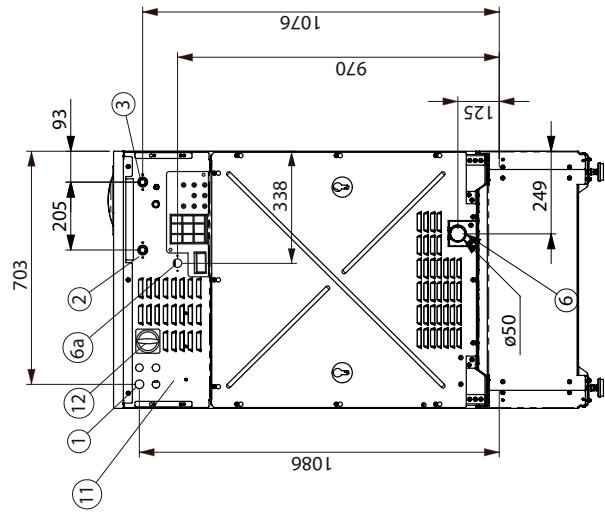
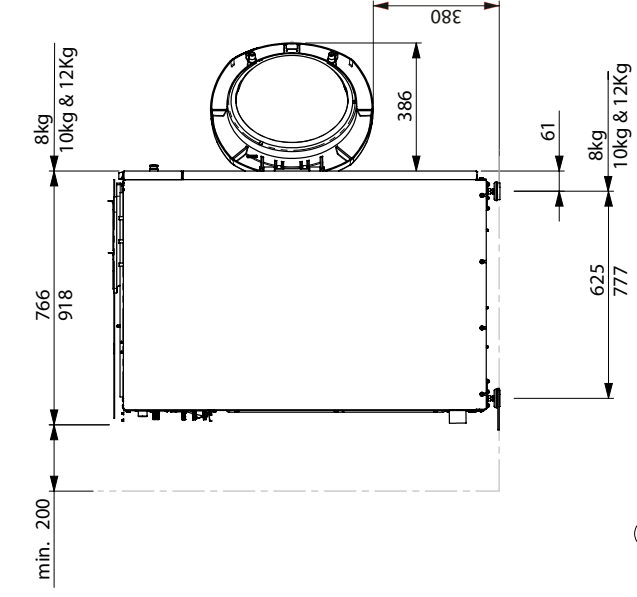
Reduced electric heat output:

400V 3N ~

Reduced mains power
«ON»



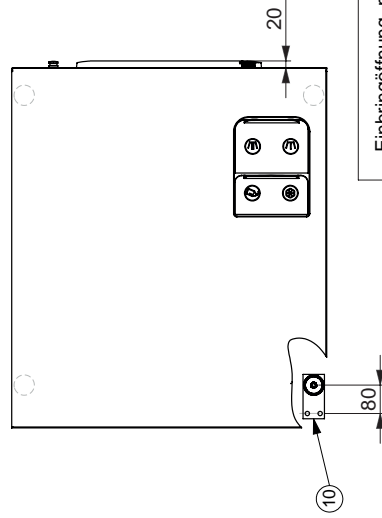
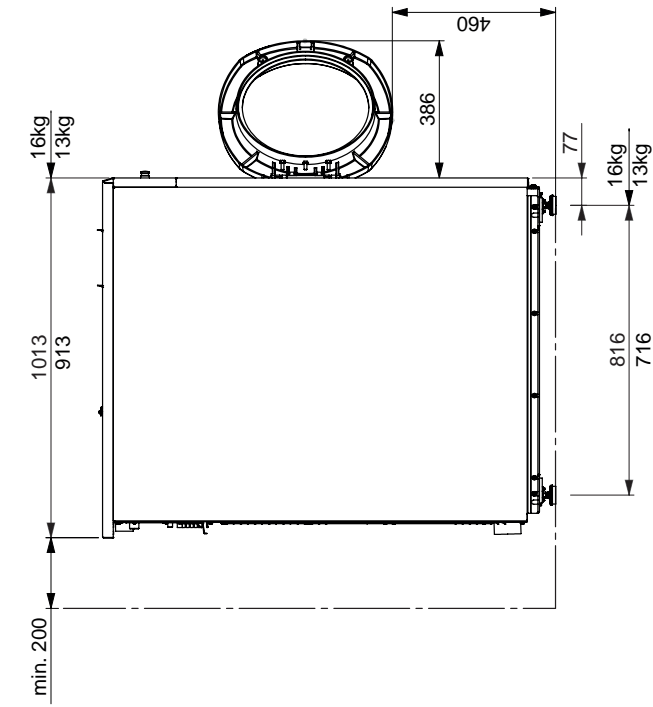
Heating 8,4 kW
Motor 1,1 kW
Fuse 16 AT



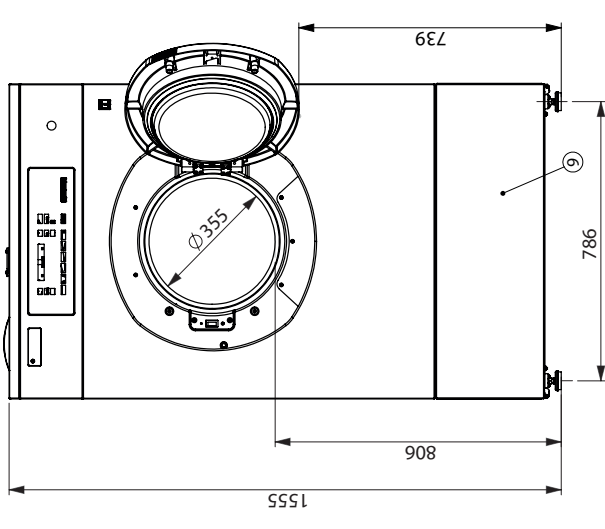
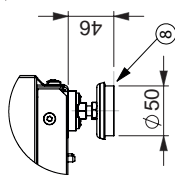
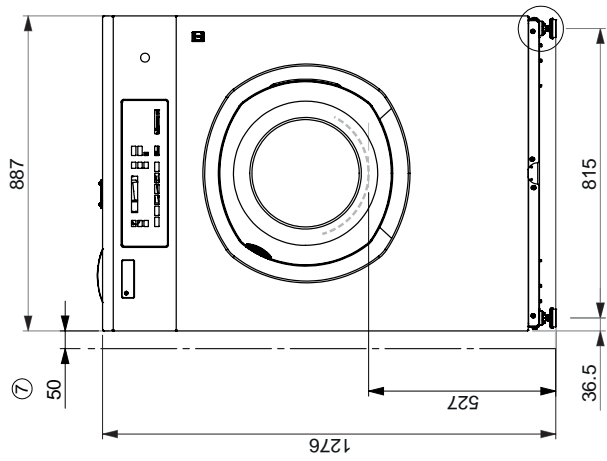
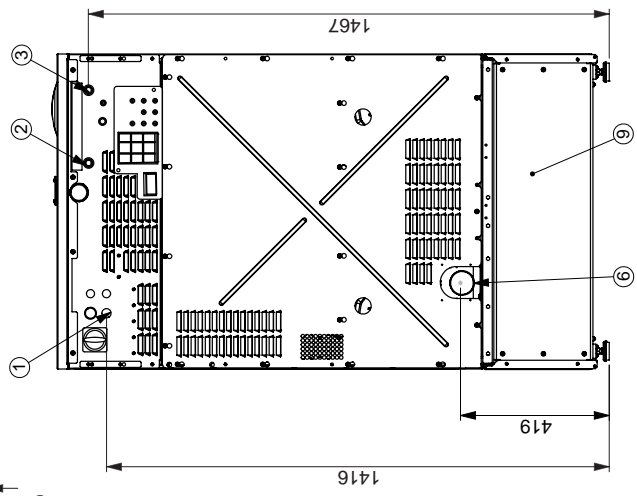
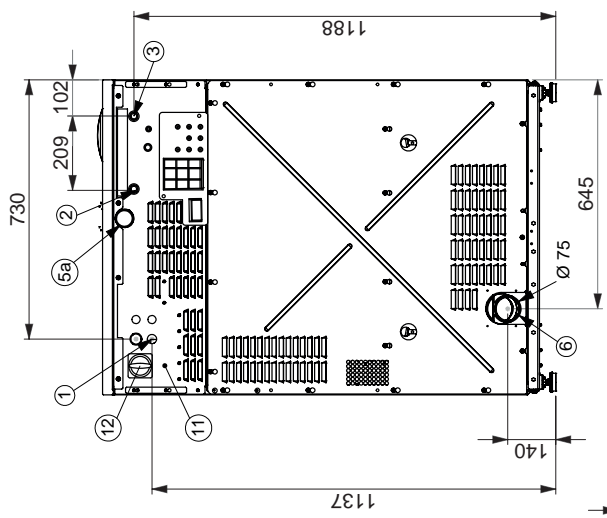
Einbringöffnung min.
Ouverture min. 800 x 1500
Apertura min.
Min. opening

Installationsplan Plan d'installation Piano d'installazione Installation plan		Waschmaschinen lave-linges lavatrici washing machines		8kg - 12kg	
Gez.	14.12.2018	msg			
Frg.					
Geäß.					
(AA) - (ZZ) = Aenderungsindex		Index	AA	Blatt	1/1
Sachnummer		750856			
Format	A4				





Einbringöffnung min.
Ouverture min.
Apertura min.
Min. opening
900 x 1600

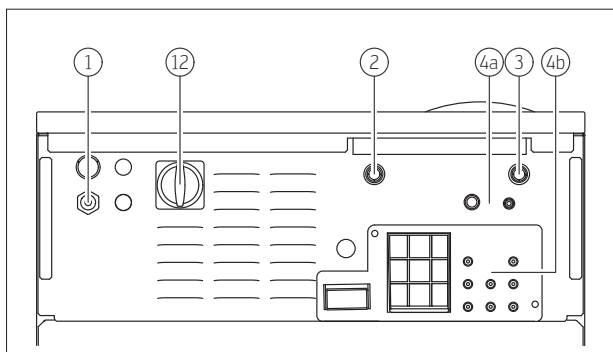


Format	A4	Sachnummer	760342	Index	AE	Blatt	1/1
Installationsplan	Waschmaschinen	13kg & 16kg		Gez.	10.03.2010	FAD	
Plan d'installation	lave-linges			Fig.	09.12.2013	FAD	
Piano d'installazione	lavatrici			Geä.	09.12.2013	FAD	
Installation plan	washing machines			(AA) - (ZZ)	= Aenderungsinde		

Description to accompany the installation plan

①	Electrical connection	Flexible as per the connection diagramm Mains locking option.
②	Hot water or cold, hard water	Connection: $\frac{3}{4}$ " - DN20, 1000 ÷ 10'000 hPa (1÷10 bar), max. 60°C, 15 l/min. An IRN R160-compliant double check valve must be installed at the connection point between the water supply and the machine.
③	Cold water or soft water	Connection: $\frac{3}{4}$ " - DN20, 1000 ÷ 10'000 hPa (1÷10 bar), 15 l/min. An IRN R160-compliant double check valve must be installed at the connection point between the water supply and the machine.
④a	Liquid detergent connection for the external pre-mixing of detergent and water	2 connections for the external pre-mixing of detergent and water (only to be used when the direct connection for liquid detergent pumps (4b) is not used). max. flow rate for 1 connection: 15 l/min, for 2 connections: 8.5 l/min max. 5 bar per connection
④b	Direct connection for liquid detergent pumps	8 direct connections for liquid detergent pumps (bore open if required: \varnothing 4 mm). max. flow rate per connection 1.6 l/min
⑤	Overflow / Ventilation	No connection required. Keep opening free to ensure appliance ventilation.
⑤a		Only 13 kg/16 kg machine
⑥	Drainage valve	8 kg-/10 kg-/12 kg machine: \varnothing 50 mm 13 kg-/16 kg machine: \varnothing 75 mm
⑥a	Drainage pump	Max. drainage temperature 60°C, waste water hose connection \varnothing 22 mm (Only 8-12 kg machine)
⑦	Minimum size	50 mm on both sides of the machine
⑧	Adjustable feet	In the event of an uneven floor, level machine with a spirit level
⑨	Plinth	Accessory
⑩	Machine fixing	Absolutely essential for concrete plinth mounting
⑪	Power rating plate	-
⑫	Main switch	Lockable in the «OFF» position

8 kg – 12 kg



13 kg – 16 kg

