

Schulthess Rotary Ironer

MSI 37

The large sized Schulthess range of ironers is characterised by top quality, maximum performance and excellent standard of equipment and ease of use. The key component that ensures superior laundry finish is the high-performance trough with oil circulation, which thanks to the infinitely variable rolling speed achieves a capacity of 90 to 110 kg per hour depending on the residual moisture. The rotary ironers are equipped with a new type of oil-flow trough and a spring wrapped with Nomex finishing textile, guaranteeing reliable performance for many years.



MSI 37 with oil trough

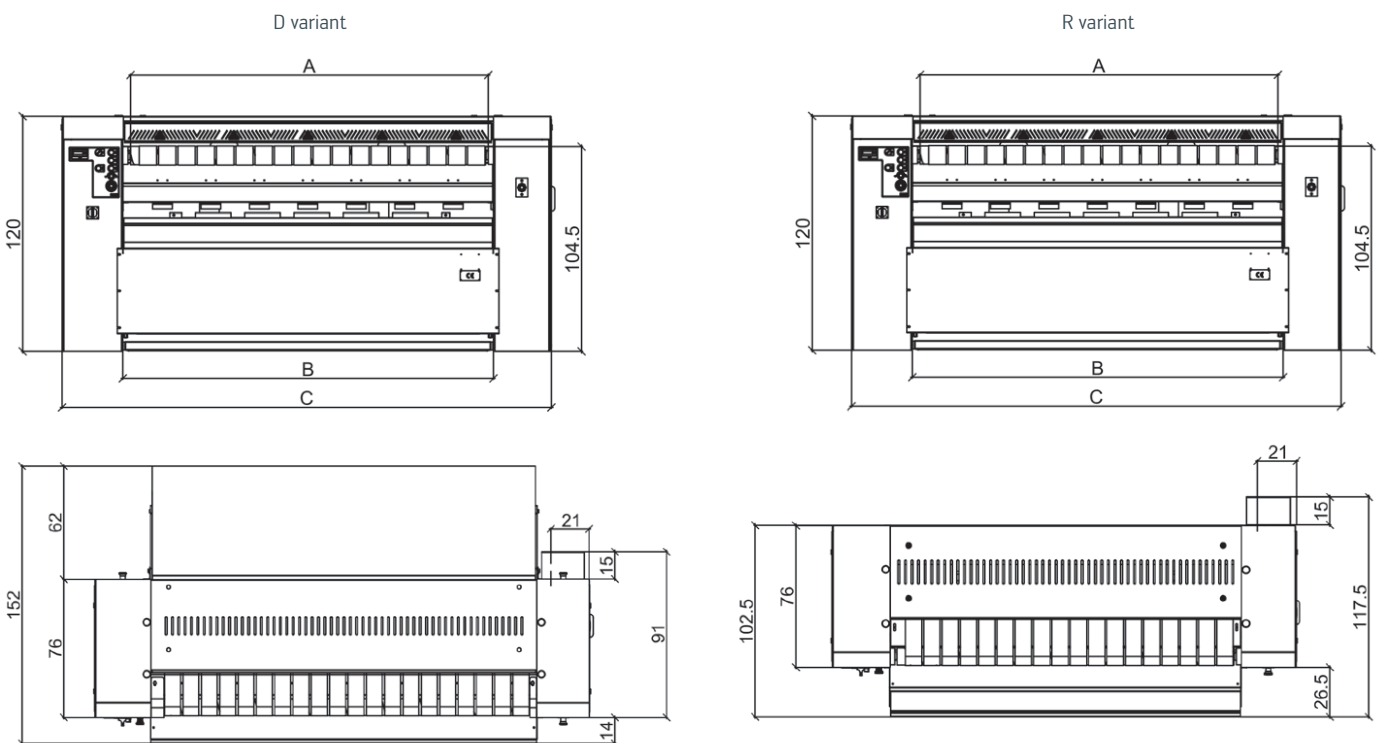
- Roller diameter 37 cm
- Roller length 175 – 220 cm
- Capacity: 90 kg/hour at 25% residual moisture
- R models available with front laundry output,
D models with rear laundry output
- Spring wrapped with Nomex textile
- Powerful exhaust fan
- Infinitely adjustable roller speed
- Hydraulic opening and closing of the trough
- In conformity with CE safety standards

Technical data MSI 37

Company or brand name	Schulthess		Schulthess		Schulthess	
Type of appliance	Ironing machine		Ironing machine		Ironing machine	
Type of sales description	MSI 37/175 D	MSI 37/175 R	MSI 37/200 D	MSI 37/200 R	MSI 37/220 D	MSI 37/220 R
Product no.	9290	9293	9291	9294	9292	9295
Ironing machines						
Output of dry linen ¹⁾	kg/h	90	90	100	100	110
Output of dry linen ²⁾	kg/h	50	50	55	55	60
Roller diameter	mm	370	370	370	370	370
Roller length (working width)	mm	1750	1750	2000	2000	2200
Roller speed	m/min	1,5–6	1,5–6	1,5–6	1,5–6	1,5–6
Electrical installation						
Connected rating, electric heating	kW	30,0	30,0	30,0	30,0	30,0
Motors	kW	3,19	3,19	3,19	3,19	3,19
Total connected rating	kW	33,19	33,19	33,19	33,19	33,19
Fuses	A	50	50	50	50	50
Ventilation installation						
Exhaust air output	max. m ³ /h	245	245	245	245	245
Exhaust air connection	Ø mm	75	75	75	75	75
Dimensions						
Machine width	mm	2474	2474	2724	2724	2924
Machine depth	mm	1050 ^{3) 4)}	1175	1050 ^{3) 4)}	1175	1050 ^{3) 4)}
Machine height	mm	1200	1200	1200	1200	1200
Minimum transport opening	cm	110x130	120x130	110x130	120x130	110x130
Machine weight	kg	735	700	817	782	897
Floor loading (static)	kg/cm ²	0,62	0,59	0,69	0,66	0,76

Explications:

- 1) Dry laundry output at approx. 25% residual moisture
- 2) Dry laundry output at approx. 50% residual moisture
- 3) Excluding folding table
- 4) Including folding table + 635 mm



	A	B	C
WALZENLÄNGE	175 cm	188 cm	247.4 cm
LONGEUR DU CYLINDRE	200 cm	213 cm	272.4 cm
LUNGHEZZA DEL RULLO	220 cm	233 cm	292.4 cm
ROLLER LENGTH			