

Schulthess Spirit industrial washing machines

INNOVATION

wmi 220, wmi 300

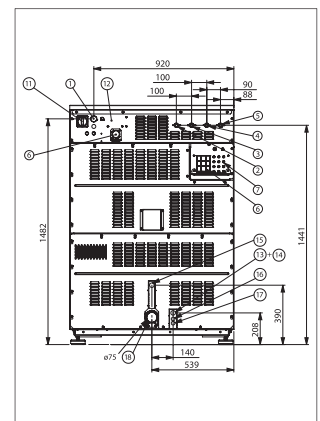
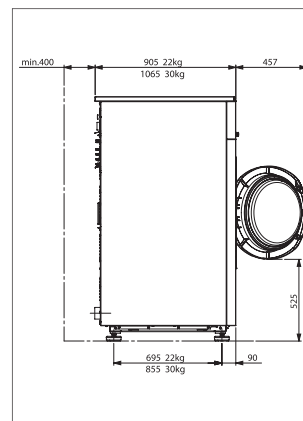
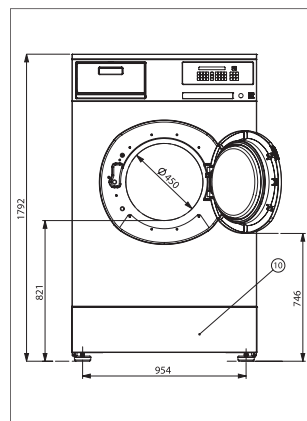
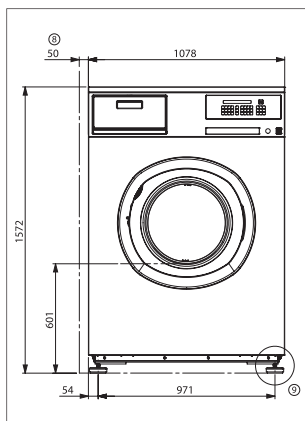
Characteristics and Strengths

- Industrial washing machines for gentle and economical textile care
- Freely programmable microprocessor control
- 72 ProfiClean programmes for textile-friendly and customer-specific laundry care
- 12 Wet-Clean programmes for effective laundry protection and modern textile care
- 10 Disinfection programmes with ThermoplusControl, temperature control for high process reliability
- 76 free programme positions for individual customer demands and laundry care
- autoClean programme with display of machine cleaning interval
- Finely perforated stainless steel drum (up to 22 659 holes) for efficient washing and rinsing processes with maximum laundry protection
- High spin performance for minimum residual moisture up to 46 %
- Economical wash programmes and low operating costs
- Large loading opening \varnothing 45 cm and metal door with softClose door lock
- Machine plinth for filling height 821 mm
- Front, sides and machine cover of robust chrome nickel steel
- Self-cleaning detergent compartment of corrosion-proof chrome nickel steel (V4A) with 5 dosing cups for washing powder and liquid detergent
- Maintenance-free drum seal and robust sealed-for-life bearing
- Frequency-controlled low-wear asynchronous motor
- Swiss-made and conceived for over 30 000 wash programmes



Display

- Easy machine operation with pushbuttons with pictograms
- Two-line graphic display for programme time and progress
- Language selection button for 17 languages
- Start delay with calendar function
- $\frac{1}{2}$ button with adapted process and detergent dosing technology
- USB interface for programme and software update



Dimensions	wmi 220	wmi 300
Width	1078 mm	1078 mm
Depth	905 mm	1065 mm
Height	1572 mm	1572 mm

- | | | |
|---|-----------------------------------|---|
| 1 Electrical connection | 8 Minimum dimension | 14 Steam direct, return |
| 2 Hot water or cold water connection hard | 9 Adjustable feet | 15 Steam direct |
| 3-5 Cold water hard or soft | 10 Plinth (option/three versions) | 16 For steam heating: Control air (standard) Control water (option) |
| 6 Overflow/De-aerating | 11 Main switch | 17 Control water, return |
| 7 Connection for liquid detergent | 12 Power plate | 18 Drain tube |
| | 13 Steam indirect, feed | |



www.schulthess.ch



SCHULTHESS

Experts in laundry care

Spirit industrial washing machines

Company or brand name	Schulthess	Schulthess
Type of appliance	Washing machine	Washing machine
Type of sales description	Spirit industrial wmi 220	Spirit industrial wmi 300
Product no.	9679.1	9680.1
Washing machine		
Filling amount / dry washing 1:10	kg 22	30
Drum volume	l 220	300
Infinitely variable speed	rpm 30 – 1000	30 – 950
g force	g 447	403
Residual moisture ¹⁾	% 46	48
Program duration cold water connection ²⁾	min 57	58
Program duration hot water connection 70° C ²⁾	min 49	49
Consumption data		
Energy consumption		
– cold water connection ²⁾	kWh 4.2	5.4
– hot water connection 70° C ²⁾	kWh 2.2	3.0
Water consumption ²⁾	l 184	236
Electrical Installation		
Voltage	V 400 3 N~ / 50 Hz	400 3 N~ / 50 Hz
Connected rating	kW 26	32.6
Electrical heating	kW 25.5	32.1
Motor	kW 4	4
Reduced connected rating electrical heating ³⁾	kW 13.4	16.1
Fuse rating	AT 40 (32 ³⁾)	50 (32 ³⁾)
Voltage for steam heating	V 400 3 N~ / 50 Hz	400 3 N~ / 50 Hz
Fuse rating for steam heating	AT 32	32
Heating Installation (steam)		
Connected ratings	kg/h 40 – 45	55 – 62
Connection	inches ¾	¾
Pressure (overpressure)	min. bar 0.6	0.6
	max. bar 13	13
Steam consumption per load ²⁾	kg 8	11
Plumbing Installation		
Water pressure: by the customer	MPa 0,3 – 1 (3 – 10 bar)	0,3 – 1 (3 – 10 bar)
Cold water inlet, hard ¾"	l/min 15 – 31	15 – 31
Cold water inlet, soft, from softener ¾"	l/min 15 – 31 ⁴⁾	15 – 31 ⁴⁾
Hot water inlet from central water boiler max. 70° C ¾"	l/min 15 – 31	15 – 31
Drain line (outer)	Ø mm 75	75
Drain throughput (drain valve)	max. l/min 260	260
Details for shipping/planning purposes		
Width of machine	mm 1078	1078
Depth of machine	mm 905	1065
Height of machine	mm 1572	1572
– including base (option)	mm 1792	1792
Filling height	mm 601	601
– including base (option)	mm 821	821
Filling opening	mm 450	450
Weight of machine	kg 625	730
Operating weight (incl. water + laundry)	kg 746	895
Soil bearing (static)	kg/m ² 906	902
Shipping weight	kg 665	775
Packed cubage	m ³ 2,1	2,5
Options		
	– Direct steam heating	
	– Indirect steam heating	
	– Combination electric/direct steam heating	
	– Machine plinth in chrome steel for 821 mm filling height	
	– Connection for up to 14 liquid detergent dosing pumps	
Safety and service		
Complies with Swiss safety regulations	electrosuisse-tested	electrosuisse-tested
Complies with the European Machinery Directive	2006 / 42 / EG	2006 / 42 / EG
Guarantee	1 year	
Service provided by	Schulthess Maschinen AG	
Manufacturer's name and address	Schulthess Maschinen AG, CH-8633 Wolfhausen/ZH	
Country of origin	Switzerland	

Explications:

- 1) Cotton fabrics (175 g/m²) following ISO 9398-4
- 2) 60° C wash cycle
- 3) Variant: reduced heating output with hot water connection min. 55° C.
This can produce a prolongation of the programme.
- 4) 2 inlets to connect

Schulthess Maschinen AG
Landstrasse 37, CH-8633 Wolfhausen ZH
Phone 0844 880 880, www.schulthess.ch



SCHULTHESS

Experts in laundry care

Note: State of the table details as January 2016, subject to further developments.