

Schulthess Rotary Ironer

MSI 50

The large sized Schulthess range of ironers is characterised by top quality, maximum performance and excellent standard of equipment and ease of use. The key component that ensures superior laundry finish is the high-performance trough with oil circulation, which thanks to the infinitely variable rolling speed achieves a capacity of 130 to 164 kg per hour depending on the residual moisture. The rotary ironers are equipped with a new type of oil-flow trough and a spring wrapped with Nomex finishing textile, guaranteeing reliable performance for many years.



MSI 50 with oil trough

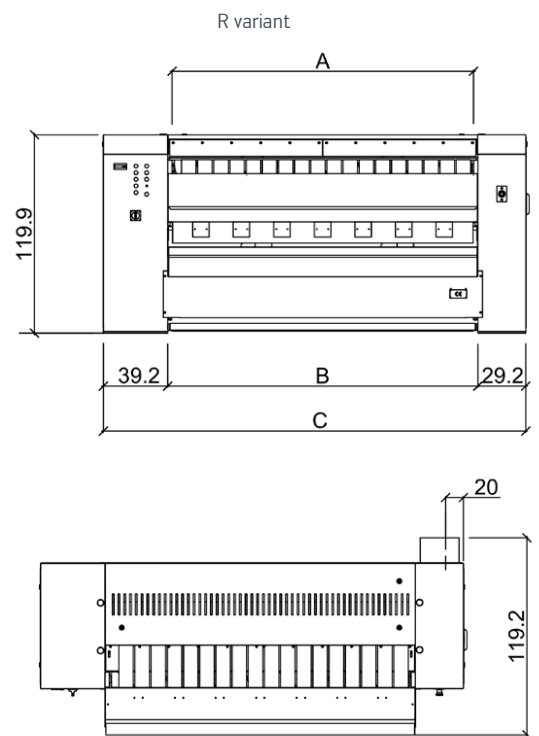
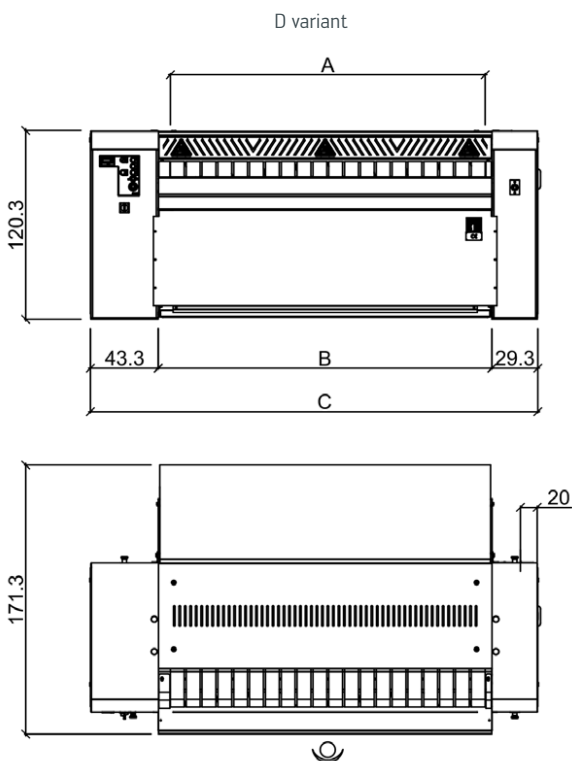
- Roller diameter 50 cm
- Roller length 175 – 220 cm
- Capacity: up to 160 kg/hour at 25 % residual moisture
- R models available with front laundry output,
D models with rear laundry output
- Spring wrapped with Nomex textile
- Powerful exhaust fan
- Infinitely adjustable roller speed
- Hydraulic opening and closing of the trough
- In conformity with CE safety standards

Technical data MSI 50

Company or brand name	Schulthess		Schulthess		Schulthess	
Type of appliance	Ironing machine		Ironing machine		Ironing machine	
Type of sales description	MSI 50/175 D	MSI 50/175 R	MSI 50/200 D	MSI 50/200 R	MSI 50/220 D	MSI 50/220 R
Product no.	9307.1	9410.1	9308.1	9411.1	9309.1	9412.1
Ironing machines						
Output of dry linen ¹⁾	kg/h	130	130	150	150	164
Output of dry linen ²⁾	kg/h	65	65	75	75	82
Roller diameter	mm	500	500	500	500	500
Roller length (working width)	mm	1750	1750	2000	2000	2200
Roller speed	m/min	1,5–5,5	1,5–5,5	1,5–5,5	1,5–5,5	1,5–5,5
Electrical installation						
Connected rating, electric heating	kW	30,0	30,0	30,0	30,0	35,0
Motors	kW	3,19	3,19	3,19	3,19	3,19
Total connected rating	kW	33,19	33,19	33,19	33,19	38,19
Fuses	A	50	50	50	50	63
Ventilation installation						
Exhaust air output	max. m ³ /h	245	245	245	245	245
Exhaust air connection	∅ mm	75	75	75	75	75
Dimensions						
Machine width	mm	2600	2590	2850	2840	3050
Machine depth	mm	1725	1130	1725	1130	1725
Machine height	mm	1200	1265	1200	1265	1200
Minimum transport opening	cm	125 x 130	125 x 130	125 x 130	125 x 130	125 x 130
Machine weight	kg	1000	1000	1200	1200	1270
Floor loading (static)	kg/cm ²	0,69	0,73	0,83	0,88	0,87

Explications:

- 1) Dry laundry output at approx. 25% residual moisture
- 2) Dry laundry output at approx. 50% residual moisture



	A	B	C
WALZENLÄNGE	175 cm	188 cm	260 cm
LONGEUR DU CYLINDRE	200 cm	213 cm	285 cm
LUNGHEZZA DEL RULLO	220 cm	233 cm	305 cm
ROLLER LENGTH			