



Characteristics and Strengths

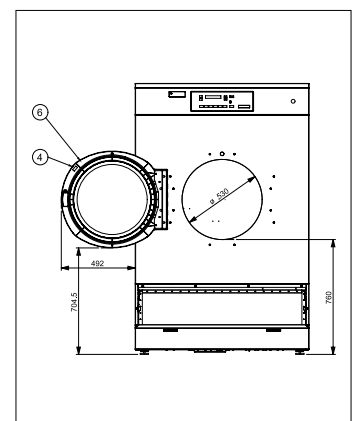
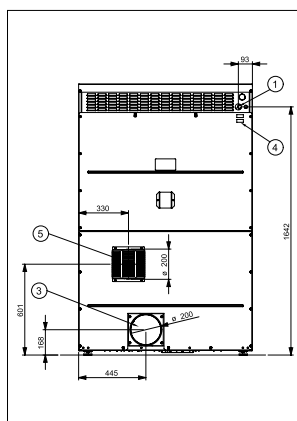
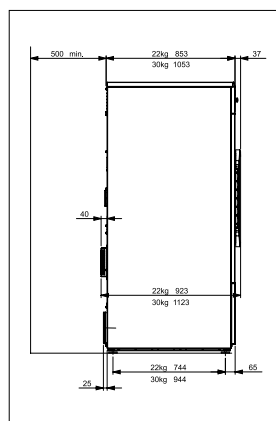
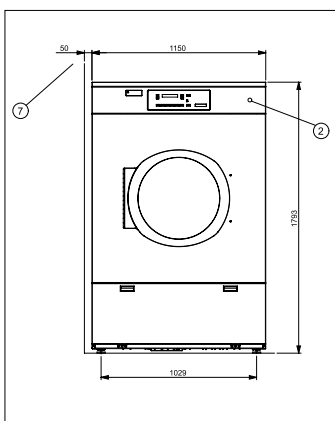
- Suitable for fabrics which either can be washed or wet-cleaned
- Heat recovery: lower energy consumption, improved drying performance, reduced heat dissipation
- Gentle: automatic reverse, cool-down cycle and crease protection
- Reliable: resilient and long-lasting due to professional design with robust and maintenance-free central drum bearing without rollers
- Quiet and safe: only 64 – 66 dB(A); in compliance with the European Machinery Directive and equipped with additional safety elements: door auto-stop, air flow monitor, overheating protection, and emergency off switch

Programmes

- A broad range of drying programmes from iron-damp to extra-dry for all common fabrics and textiles ensures a superior daily laundry output
- 10 wet-clean programmes with memory function
- Time programming for up to 150 minutes

Additional functions

Gentle drying for temperature-sensitive fabrics; easy care drying. Memory function for user-defined initial dampness for ironing machines. Individual dryness level adjustment, program status and remaining time display. Audio signal at the end of the program with variable volume setting. Program start preselection for up to 100 hours in advance.



Dimensions in mm	TRI 9550	TRI 9750
Width	1150	1150
Depth	888	1088
Height	1793	1793

- 1 Electrical connection
- 2 Emergency stop button
- 3 Exhaust air connection
- 4 Power rating plate
- 5 Fresh air intake
- 6 Door hinging
- 7 Minimum size

Company or brand name	Schulthess		Schulthess
Type of appliance	Exhaust air dryer		Exhaust air dryer
Type of sales description	Spirit proLine TRI 9550		Spirit proLine TRI 9750
Product no.	9657.1		9658.1
Application features			
Filling amount	kg	22	30
Drum volume	l	508	690
Program duration ¹⁾	ca. min	31	31
Drum diameter	mm	1075	1075
Drum depth	mm	560	760
Evaporative capacity	l/min	0,35	0,48
Drying output ¹⁾	kg/h	42,5	58
Electrical installation			
Voltage	V	400 3N~	400 3N~
Connected rating	kW	31,05	40,65
Electric heating	kW	28,8	38,40
Motors	kW	2,25	2,25
Fuses	AT	50	63
Voltage (upon request)	V	-	-
Ventilation installation			
Exhaust air output	max. m ³ /h	1350	1600
Installed line resistance	max. Pa	300	300
Exhaust air connection	Ø mm	200	200
Details for shipping / planning purposes			
Width of machine	mm	1150	1150
Depth of machine	mm	888	1088
Height of machine	mm	1793	1793
- including base (option)	mm	-	-
Filling height	mm	759	759
- including base (option)	mm	-	-
Filling opening	Ø mm	530	530
Weight of machine	kg	360	400
Operating weight (incl. laundry)	kg	404	460
SoL bearing (static)	kg/m ²	400	400
Shipping weight	kg	400	440
Packed cubage	m ³	2,07	2,53
Options			
		- Machine plinth in chrome steel (180 mm)	- Machine plinth in chrome steel (180 mm)
		- Central fresh air connection for heat recovery Ø 200 mm	- Central fresh air connection for heat recovery Ø 200 mm
Safety and service			
Complies with Swiss safety regulations	Yes		Yes
Complies with the European Machinery Directive	2006/42/EG		2006/42/EG
Country of origin	Switzerland		Switzerland
Guarantee	1 year		1 year
Service provided by	Schulthess Maschinen AG		
Manufacturer's name and address	Schulthess Maschinen AG, CH-6330 Cham ZG		

Explications:

1) Values determined in accordance with standard EN 61121 (cupboard dry / initial moisture 50 %)

Note: State of the table details as October 2014, subject to further developments.