

Schulthess washing machine

proLine W65 / W80 / W100



Model
Chrome steel



Model
Anthracite

Model Grey matt



Features

- Industrial washing machine for gentle fabric care
- «Expert» control with 20 standard programmes and 24 freely programmable positions
- Intuitive operation with 4.3" colour display
- High spin speed for minimum residual moisture (up to 46%)
- Stainless steel drum and washing liquor tank for efficient washing and rinsing processes
- Cold, hot or soft water connection (selectable on site)
- Language selection button for 23 languages
- Start delay with calendar function
- Swiss made and designed for over 30,000 operating hours

Options

- «Expert+» control with 20 standard and 90 profiClean programmes and 24 freely programmable positions
- WLAN interface for programme and software updates
- Connection for 8 liquid detergent dosing pumps
- Standard machine plinth (280 mm)
- Special machine plinth (380 mm)
- Machine plinth with fluff filter drawer
- Mains blocking set (load shedding/current peak)

	W65	W80	W100
	65 l	80 l	100 l
1:9	7 kg	9 kg	11 kg
1:10	6.5 kg	8 kg	10 kg

Technical data proLine W65 / W80 / W100

Company or brand name		Schulthess		
Device type		Washing machine		
Type or sales description	proLine	W65	W80	W100
Product no.		4201.1	4202.1	4203.1

Properties

Fill ratio (1:9)	kg	7	9	11
Filling quantity (1:10)	kg	6,5	8	10
Drum volume	l	65	80	100
Drum opening	Ø mm	355	355	355
Drum diameter	mm	517	517	517
Drum depth	mm	302	372	464
Spin speed	rpm	1200	1200	1200
g-factor		416	416	416
Residual moisture	%	46	46	46
Programme duration cold water connection (min.) ^{2)/5)}		52	55	57
Programme duration hot water connection 70 °C (min.) ^{2)/5)}		46	47	48
Energy consumption ^{3)/4)/5)}	kWh	1,1 / 0,34	1,5 / 0,42	1,7 / 0,42
Water consumption ^{2)/5)}	l	56	67	90

Electrical installation

Supply voltage	V	400 3N~/50 Hz	400 3N~/50 Hz	400 3N~/50 Hz
Connected load	kW	9,4	9,4	9,4
Electric heating	kW	9,0	9,0	9,0
Drive	kW	1,0	1,0	1,0
Protection	AT	16	16	16

Sanitary installation

Water pressure on site	MPa	0,15 – 1,0	0,15 – 1,0	0,15 – 1,0
Cold water hard inflow ¾-inch	l/min	> 13	> 13	> 13
Hot water supply from central boiler max. 70 °C ¾-inch	l/min	> 13	> 13	> 13
Drain quantity drain valve Ø 50 mm	l/min	260	260	260
Drain pump Ø 22 mm	l/min	32	32	32

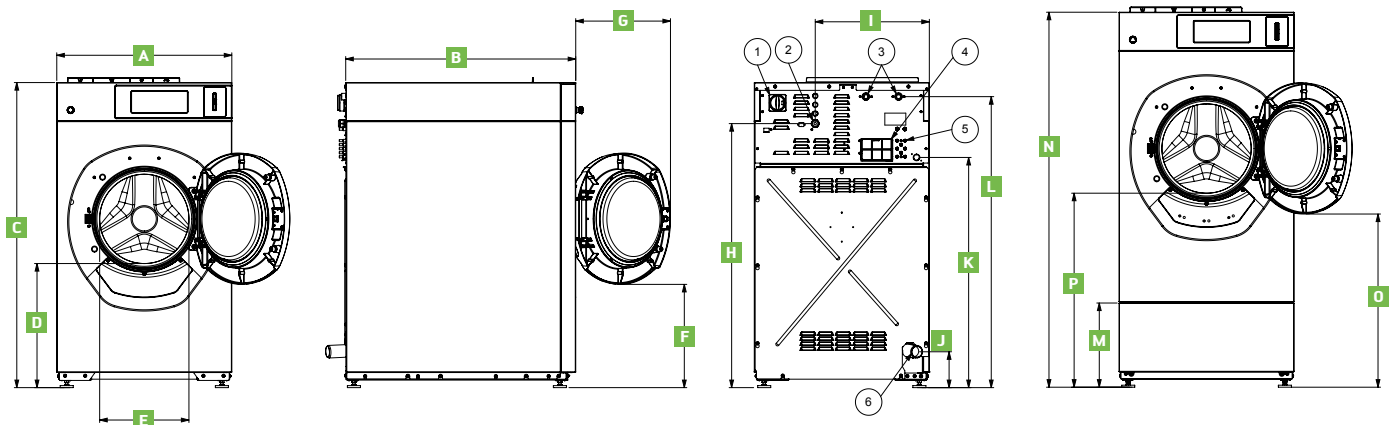
Control system

	Expert / Expert+	Expert / Expert+	Expert / Expert+
Standard programmes	•/•	•/•	•/•
24 programmes, freely programmable	•/•	•/•	•/•
ProfiClean sets	-/•	-/•	-/•
Disinfection programmes	-/•	-/•	-/•
WetClean programmes	-/•	-/•	-/•

- 1 Main switch
- 2 Electrical connection
- 3 Water connection
- 4 Overflow / Venting
- 5 Connection for liquid detergent
- 6 Drain pipe

Explanations:

- not available • available ²⁾Cotton 60 °C without pre-wash ³⁾Cotton 60° prg. cold water ⁴⁾Cotton 60° prg. hot water 70° ⁵⁾Drain valve



Dimensions

	A	B	C	D	E	F	G	H	I	J	K	L	M	N	O	P	Weight (kg)
W65	696	820	1210	500	355	410	380	1050	455	150	915	1160	330	1490	690	780	200
W80	696	820	1210	500	355	410	380	1050	455	150	915	1160	330	1490	690	780	210
W100	696	915	1210	500	355	410	380	1050	455	150	915	1160	330	1490	690	780	220