



Model
Anthracite

Model Grey matt



Features

- Professional washing machine with 7kg load capacity (dry weight)
- Intuitive operation with 4.3" colour display
- 35 profiClean programmes and 24 freely programmable positions
- High spin speed (1500 rpm) for minimum residual moisture (c. 44%)
- Stainless steel drum and washing liquor tank for efficient washing and rinsing processes
- Large 3D washing drum with a volume of 60 litres
- Language selection button for 23 different languages
- Model with drain pump
- Start delay for calendar function
- Swiss made and designed for over 17,000 operating hours
- Machine plinth with fluff filter drawer for mop module (401 mm, only for V Var.)
- Door hinge right (can be changed to left on site)
- Hot water connection

Options

- Model with direct drain (drain valve)
- Connection for up to 8 liquid detergent dosing pumps
- WLAN interface for programme and software updates
- Standard machine plinth available in both colours (305 mm)

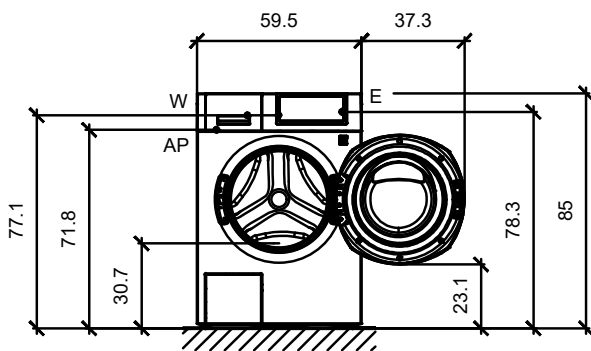
Technical data starLine 7720

Company or brand name	Schulthess		
Type of appliance	Washing machine		
Type or sales description	starLine 7720		
Product number	7720.2		
Application features			
Load capacity	max. kg	7	
Drum capacity	l	60	
Spinning speed	max. rpm	1500	
g Factor	g	605	
Residual moisture ¹⁾	%	44	
Structural design			
Footed appliance with work surface	•		
Door hinge ³⁾	d/s/i		
Dimensions			
Height	cm	85	
Width	cm	60	
Depth including distance from wall	cm	67	
Depth with door open (front loader)	cm	110	
Height (adjustable)	cm	1	
Weight when empty	kg	90	
Equipment			
Detergent tank and drum	chrome-nickel steel		
Loading opening	Ø cm	34 / 180°	
Automatic door opening	•		
Connecting cable	m	1,6	
Drain:			
- Drain hose with benda, only model (P)	m	1,5	
- Model with drain pump (P)	Ø mm	21	
- Model with drain valve (V)	Ø mm	50	
Electric power and water supply			
Electrical connection	400 V 2N~ / 50Hz / 4,6kW / 10A		
Voltage / connected loads / fuse	230V 1 N~ / 50Hz / 2,3kW / 10A		
Water connection			
- Pressure hose G ¾" with fine filter	m	1,5	
- Can be connected to cold water / hot water	cold water / hot water 70 °C		
- Water pressure	bar	1-10	
Safety and service			
Conforms to the European Machinery Directive	2006/42/EC		
Country of origin	Switzerland		
Guarantee	1 year		
Service by	Schulthess Maschinen AG		
Name and address of supplier	Schulthess Maschinen AG, CH-6330 Cham ZG		

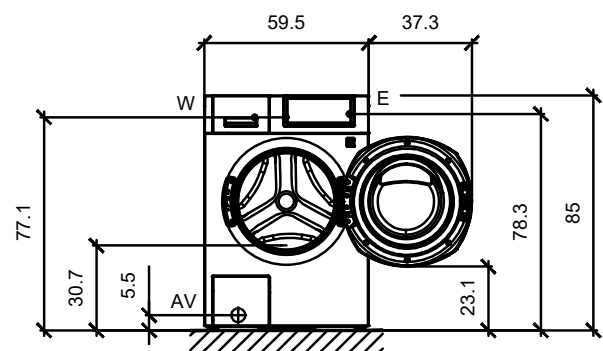
Explanations:

- Available or yes • Not available or no
- 1) Values determined in the 60°C cotton programme.
- 3) Door hinge: l = left, r = right, w = can be changed
Example: l/w means that the machine is delivered with the door hinge to the left, but the direction of opening can be changed.
- 7) Information on switchover options can be found in the installation instructions, where required.

Note: State of the table details as 01.2023, subject to further developments.



Version with pump



Version with drain valve